

## CERTIFICATION



HACCP International



ISO9001

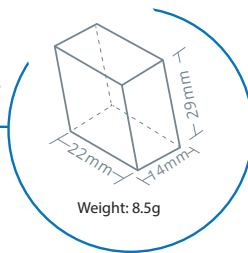
# ICE MATE

by  HOSHIZAKI

## SRM-200AB-14-B-301SA

### ICE MAKER

#### HALF DICE



ICEMATE is committed to bringing high-efficiency / energy-saving, and high quality ice-making product to people who have dreams and desire to create their own business with the best scientific technology and manufacturing technology.

### KEY FEATURES

#### SAFETY AND HYGIENE ASSURED ICE MACHINE

##### AUTO-CLEANING



Timely maintenance of water system can extend life of equipment.

##### PURE ICE



Overflow self-cleaning function, ensuring ice hygiene

##### IoT



#### Slow melt Dilution



**Slow Dilution**  
Slower melting speed due to -7°C of inside temp of ice cube

#### Powerful Ice Making



##### Powerful Ice Making

Designed for commercial Ice Machine

High-end Compressor

Stable Ice Making

Sufficient Ice Production

In making cycle about 12.0-13.5min

Ensuring sufficient ice production in 24 hours

#### Energy & Water Saving, Quiet Operation



##### Energy & Water Saving, Quiet Operation

Scientific water cycle system  
The water circulation system reasonably utilizes water and reduce waste

Noise Reduction

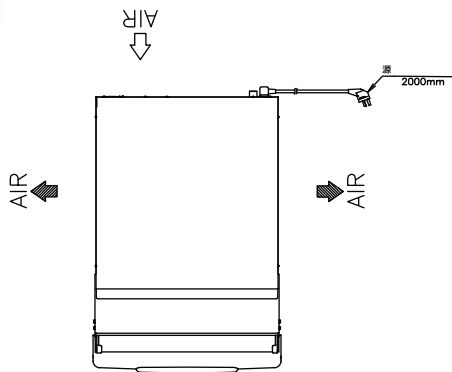
Stable compressor operation

Machine runs quietly and smoothly

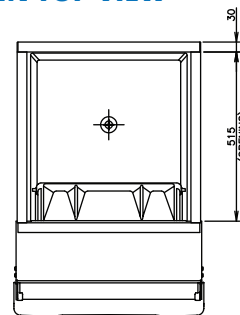
Low energy consumption

Long life compressor

Low energy consumption during operation



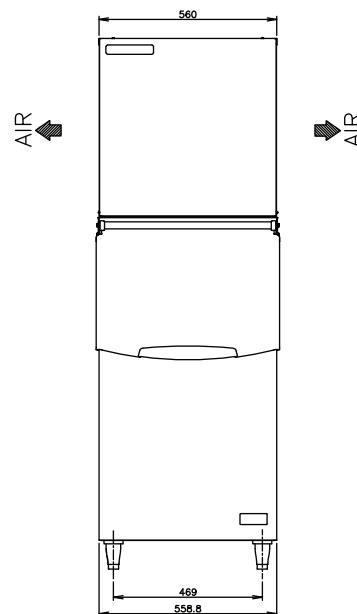
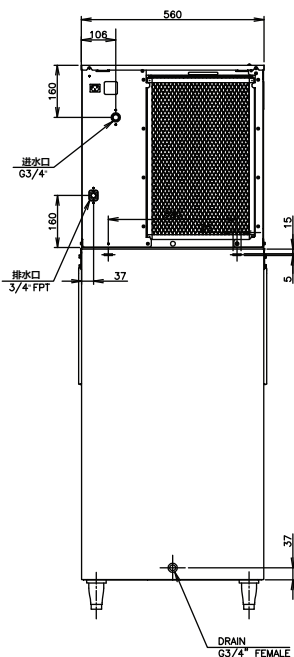
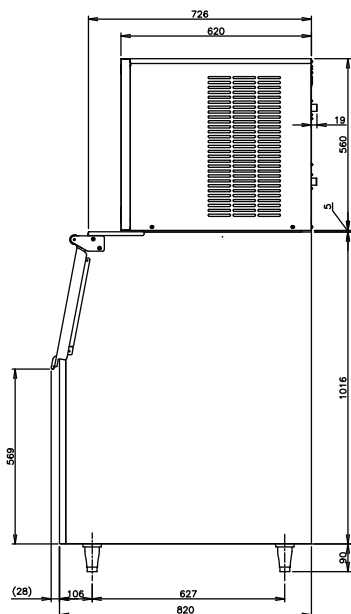
**BIN TOP VIEW**



**RIGHT SIDE**

**BACK SIDE**

**FRONT SIDE**



**SPECIFICATIONS**

Ice Dimensions (W x D x H)	29 x 14 x 22 mm
Outside Dimensions (W x D x H)	560 x 820 x 1671(~1701)mm
Package Dimensions (W x D x H)	Ice Maker: Pallet+Carton: 650 x 710 x 750mm Storage Bin: 655 x 924 x 1138mm
Weight (Net / Gross)	Ice Maker: 50kg / 66.5kg Storage Bin: 37kg / 49kg
Amperage / Starting Amperage	5.09A / 22A
Electrical Consumption	(AT32°C / WT21°C) 804W
Refrigerant Charge	R404A/480g
Ice Storage Capacity	Maximum 144 kg
Ice Production per 24H	(AT10°C / WT10°C) Approx. 204 kg (AT21°C / WT15°C) Approx. 180 kg (AT32°C / WT21°C) Approx. 140 kg

Water Consumption per 24H	(AT32°C/WT21°C) 0.15m <sup>3</sup> (1.1 L / kg Ice)
Ice Production Freeze Cycle Time	(AT21°C/WT15°C) 14.3 min
Ice Production per Cycle	(AT21°C/WT15°C) Approx. 1.8kg / 220 pcs

**OPERATING CONDITIONS**

Voltage Range	198 - 242 V
Ambient Temperature	5 - 38°C
Water Supply	5 - 32°C
Water Supply Pressure	0.07 - 0.55 Mpa (0.7 - 5.5 bar)
Supply Voltage	1/220 - 240V / 50Hz



**HOSHIZAKI**

**HOSHIZAKI MALAYSIA SDN. BHD.**

No. 12, Jalan Penyajak U1/45B. Hicom-Glenmarie Industrial Park, 40150 Shah Alam, Selangor  
TEL (+60) 3 5569 8023 | <https://hoshizaki.com.my/>